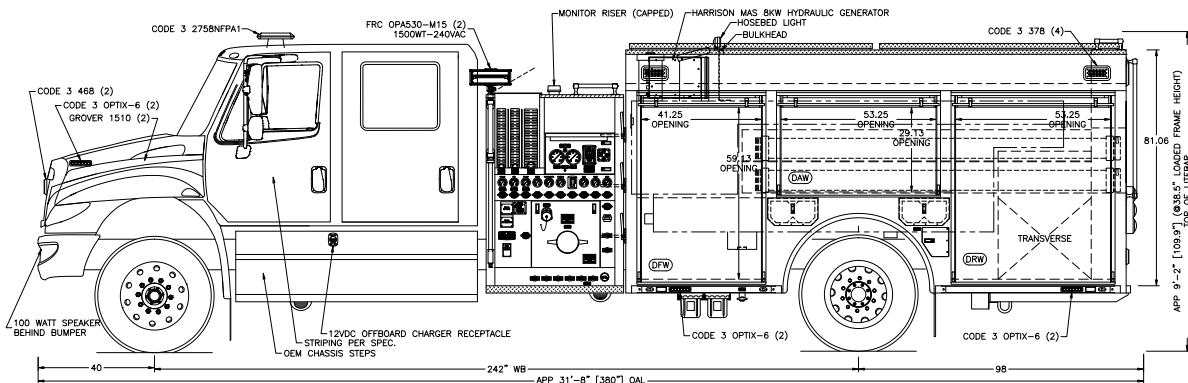
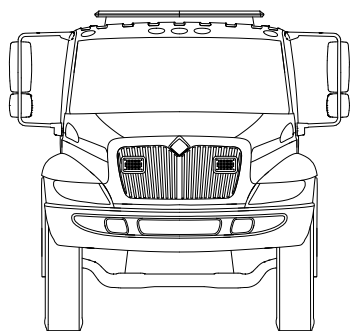
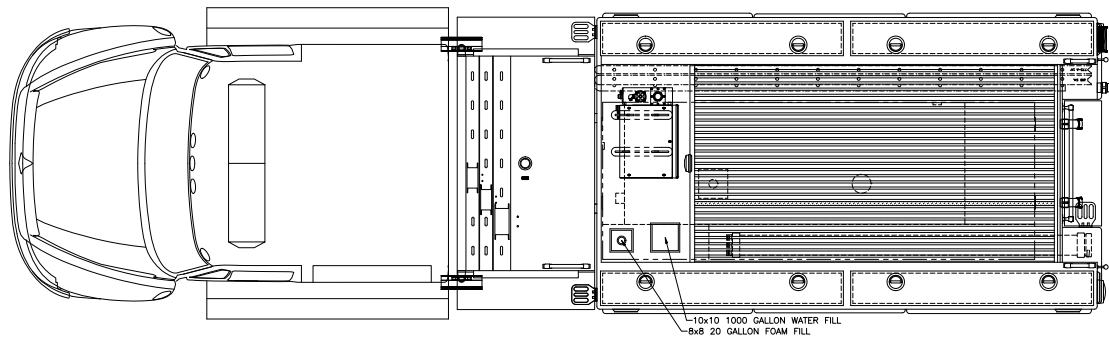


TREADBRITE TEXTURE NOT SHOWN IN TOP VIEW

REFERENCE SCALE IN INCHES

COMP.	HEIGHT				WIDTH		USABLE DEPTH		DIVIDE HEIGHT	FT ³
	0	10	20	30	40	UPPER	LOWER			
DFW	67.12	47.88	14	26	28	35.35				
DAW	37.12	63.75	14	—	—	19.18				
DRW	67.12	56.00	14	26	28	41.35				
PEW	67.12	47.88	14	26	28	35.35				
PAW	37.12	63.75	14	—	—	19.18				
PRW	67.12	56.00	14	26	28	41.35				
R-1	44.00	44.00	—	30	—	33.62				
HOSEBED	16	68	—	128	—	80.60				
DR COFFIN	11.56	14.00	—	168	—	15.74				
PS COFFIN	11.56	14.00	—	168	—	15.74				
FRONT X-LAY	25	4.5	—	73.75	—	4.81				
MIDDLE X-LAY	25	4.5	—	73.75	—	4.81				
REAR X-LAY	25	6	—	73.75	—	6.41				

LOCATION TO BE DETERMINED:
 SINGLE SHELF TRACK (5 COMPARTMENTS)
 12" DEEP ADJUSTABLE SHELF (9)
 250# ROLLOUT TRAY (4)
 VERTICALLY HINGED TOOLBOARD (1)
 GENERATOR LOAD CENTER
 AKRON ERWC16-10 CORD REEL (1)



NOTE:
 DIMENSIONS SHOWN ARE APPROXIMATE AND ARE SUBJECT TO MINOR CHANGE AS MAY BE FOUND NECESSARY DURING CONSTRUCTION. MINOR DETAILS MAY NOT BE SHOWN. IF DISCREPANCIES EXIST BETWEEN THIS DRAWING AND THE WRITTEN SPECIFICATIONS PROVIDED BY TOYNE, THE WRITTEN SPECIFICATIONS SHALL PREVAIL.

CHASSIS: IHC 4400 SBA CREWCAB	TOYNE FIRE APPARATUS	
WB-CA: 242" - 131" - 47"	BREDA, IOWA 51436	
BODY: ALUMINUM	EAST 60	
PUMP: HALE QFLOPLUS 1250	COMMERCIAL LEGEND PUMPER	
TANK: 1000/20 UPF POLY		
GENSET: HARRISON MAS 8KW HYDRAULIC	SCALE: 1/66	CAD BY: SCHMCHR
FOAM: FOAM PRO 1600 "A"	DATE: 16 NOV 2010	DISC: EAST60-A