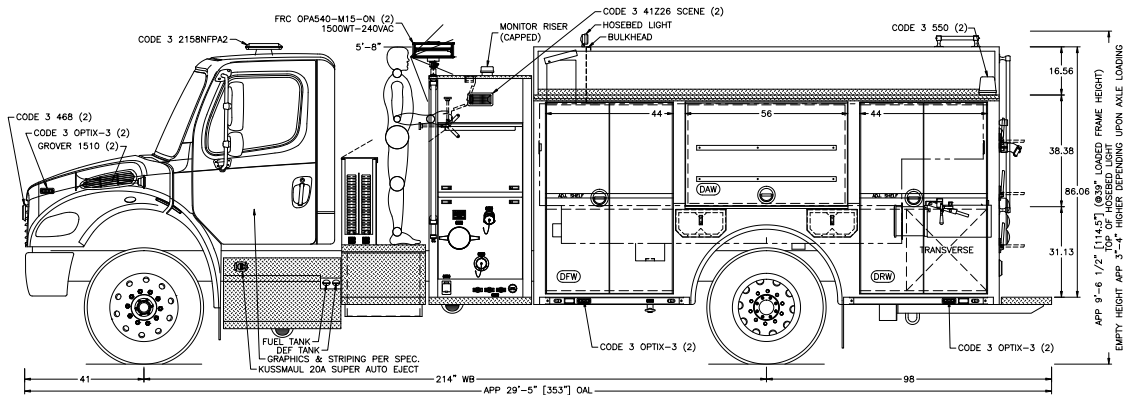
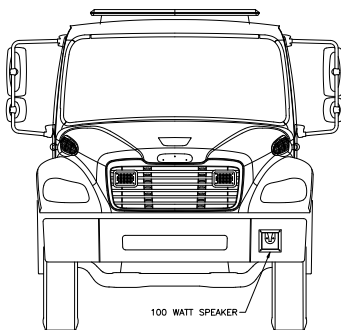
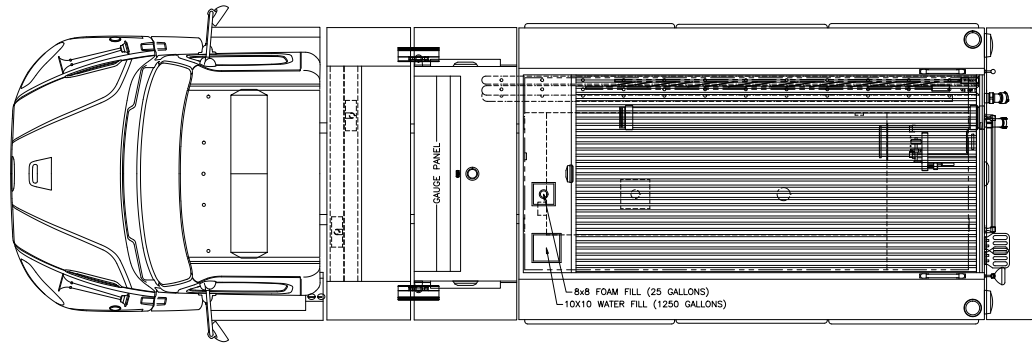


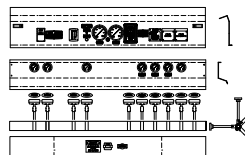
TREADBRITE TEXTURE NOT SHOWN IN TOP VIEW

REFERENCE SCALE IN INCHES

COMP.	HEIGHT	WIDTH	USABLE DEPTH		DVIDE	FT*
			UPPER	LOWER		
DFW	67.12	47.88	14	26	28	35.35
DAW	37.12	63.75	14	-	-	19.18
DRW	67.12	44.00	14	26	28	32.49
PFW	67.12	47.88	14	26	28	35.35
PAW	37.12	63.75	14	-	-	19.18
PRW	67.12	44.00	14	26	28	32.49
R-1	44.00	44.00	-	30	-	33.62
HOSEBED	18	58	-	142	-	85.79
FRONT XRAY	25.75	4.62	-	73.75	-	5.08
REAR XRAY	25.75	4.62	-	73.75	-	5.08



NOTE:
DIMENSIONS SHOWN ARE APPROXIMATE AND ARE SUBJECT TO MINOR CHANGE AS MAY BE FOUND NECESSARY DURING CONSTRUCTION. MINOR DETAILS MAY NOT BE SHOWN. IF DISCREPANCIES EXIST BETWEEN THIS DRAWING AND THE WRITTEN SPECIFICATIONS PROVIDED BY TOYNE, THE WRITTEN SPECIFICATIONS SHALL PREVAIL.



CHASSIS: FREIGHTLINER M2-106
WB-CA: 214" - 148.4" - 47"
BODY: STAINLESS STEEL
PUMP: HALE DSD 1250
TANK: 1250/25 UPF POLY
GENSET: HONDA EM5000
FOAM: FOAM PRO 1600 "A"

TOYNE FIRE APPARATUS		
BREDA, IOWA 51436		
9971 DEMO		
COMMERCIAL PUMPER		
SCALE: 1/66	CAD BY: SCHMCHR	DISC:
DATE: 30 MAY 2012	9971DEMO-A	